



BACK PORCH CompostTumbler®



MAN 430188

Rev. A 10-18-22

Model CT08002

ASSEMBLY GUIDE



Back Porch ComposTumbler™ Assembly Instructions

Tools You Will Need

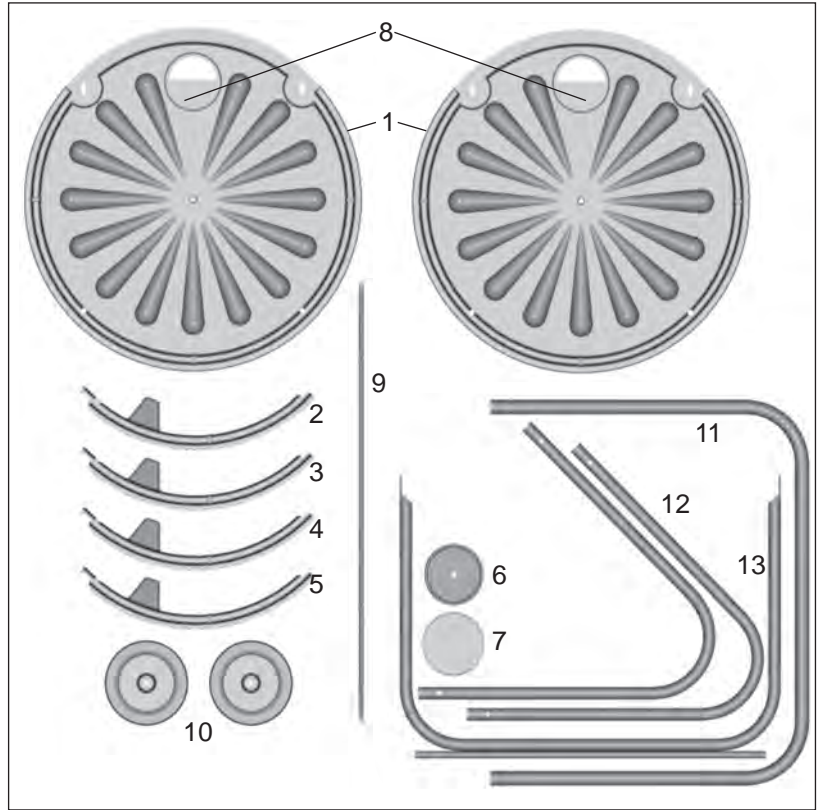
- Hammer
- (2) 7/16" (11mm) and/or adjustable wrenches
- Flat screwdriver
- Phillips screwdriver



Everything else you will need is included with your ComposTumbler.

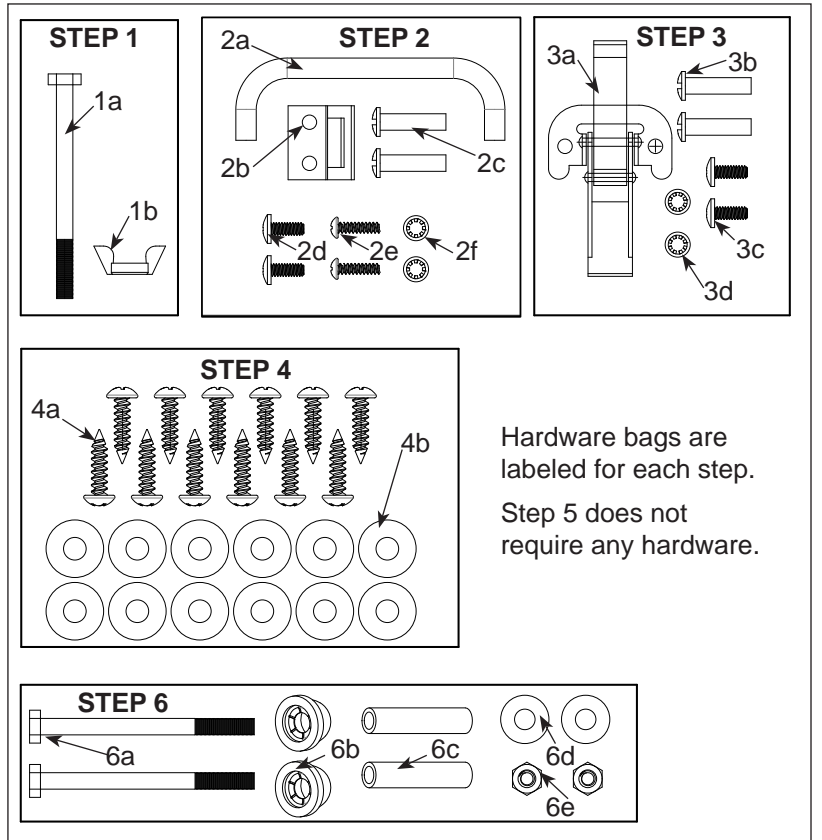
Parts for the ComposTumbler

| Item | Part # | Description | Qty |
|------|------------|-------------------------------------|-----|
| 1 | CT03530-00 | Endcap | 2 |
| 2 | CT03531-00 | Door Panel (4 holes near one edge) | 1 |
| 3 | CT03532-00 | Front Panel (2 holes near one edge) | 1 |
| 4 | CT03533-00 | Aerator Panel (large center hole) | 1 |
| 5 | CT03534-00 | Back Panel (no holes) | 1 |
| 6 | CT01699-00 | Aerator Cap | 1 |
| 7 | CT01698-00 | Aerator Base | 1 |
| 8 | CT01723-00 | Screen (pre-assembled in Endcaps) | 2 |
| 9 | CT03505-00 | Axle Rod | 1 |
| 10 | CT03506-00 | Wheel | 2 |
| 11 | CT03507-00 | Handle | 1 |
| 12 | CT03508-00 | Leg | 2 |
| 13 | CT03509-00 | Brace | 1 |



Hardware for the ComposTumbler

| Step 1 | | |
|--------|--|-----|
| Item | Description | Qty |
| 1a | 1/4-20 X 3 1/4 Screw, Grade 2 | 1 |
| 1b | 1/4-20 Wing Nut (P/No. CT06018-04) | 1 |
| Step 2 | | |
| 2a | Door Handle, Back Porch Ct (P/No. CT03527-00) | 1 |
| 2b | Latch Strike (P/No. CT03528-00) | 1 |
| 2c | 10-24X1 Combo Truss Head Socket Bolt | 2 |
| 2d | Screw Machine, 10-24X1/2 Phillips Truss Head | 2 |
| 2e | Screw #8X5/8 Phillips Pan Head, Type B Sheet Metal | 2 |
| 2f | #10 Internal Tooth Lock Washer, Steel, Zinc Plated | 2 |
| Step 3 | | |
| 3a | Latch (P/No. CT01825-00) | 1 |
| 3b | 10-24X1 Combo Truss Head Socket Bolt | 2 |
| 3c | Screw Machine, 10-24X1/2 Phillips Truss Head | 2 |
| 3d | #10 Internal Tooth Lock Washer | 2 |
| Step 4 | | |
| 4a | Screw #14X1 Phillips Pan Head, Type A Sheet Metal | 12 |
| 4b | Washer Flat 5/16 Reg Type B | 12 |
| Step 6 | | |
| 6a | 1/4-20 X 3 1/4 Screw, Grade 2 | 2 |
| 6b | 5/16 Push On Cap Nut, Black (P/No. CT01724-03) | 2 |
| 6c | Axle Bushing (P/No. CT03510-00) | 2 |
| 6d | 1/4 USS Flat Washer | 2 |
| 6e | 1/4-20 Center-Lock Nut | 2 |





READ THIS FIRST!

Watch the instruction videos found on *Mantis.com* to get started in no time!



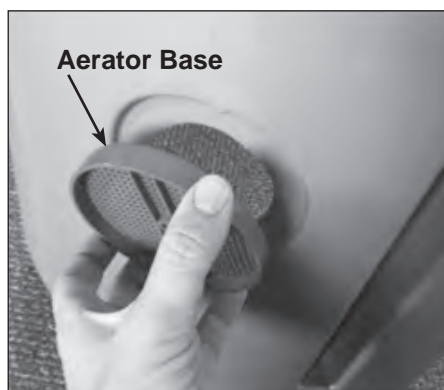
ATTENTION! Your Back Porch ComposTumbler may be too large to fit through some doorways when assembled. You should build it in a space with easy access to the area where it will be used.

STEP 1 – AERATOR PANEL ASSEMBLY

WHAT YOU'LL NEED

- Tools:** None
- Hardware:** 1a - 1/4" x 3-1/4" Bolt (6mm x 8.25cm)
1b - Wing Nut
- Parts:** Item 4 - (1) Aerator Panel (with large center hole)
Item 6- (1) Aerator Cap
Item 7 - (1) Aerator Base

1.1



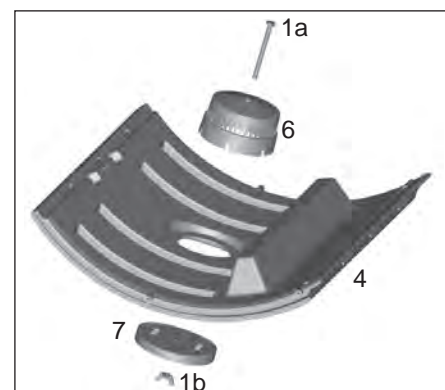
Position the Aerator Base (smooth side toward the inside of the panel) on the outside of the hole in the Aerator Panel.

1.2



Position the Aerator Cap on the inside of the hole, opposite the Aerator Base.

1.3



Insert the bolt (1a) through the Aerator Cap and fasten it to the Aerator Base with the wing nut (1b).

Note: The wing nut should be finger tight only; over tightening will deform the Aerator Base.



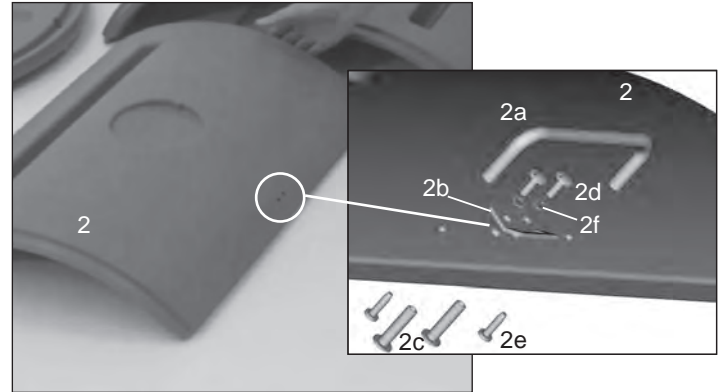
STEP 2 – DOOR PANEL ASSEMBLY

WHAT YOU'LL NEED

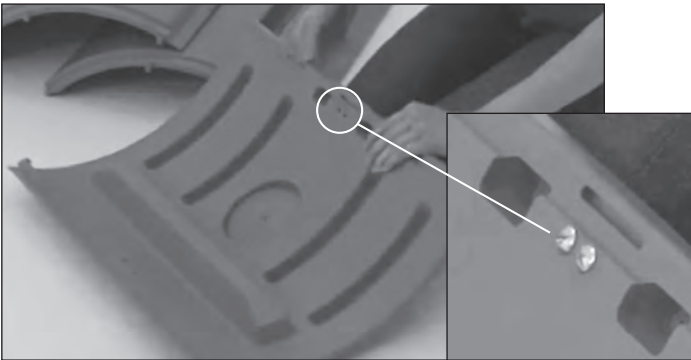
Tools: Phillips screwdriver

Hardware: 2a - Handle
2b - Latch strike
2c - Socket bolts
2d - Screws #10
2e - Screws 5/8" (16mm)
2f - Lockwashers

Parts: Item 2 - (1) Door panel (with 4 holes—2 large, 2 small—at one edge)



2.1a



From the inside of the door panel, push the socket bolts (2c) through the larger holes in the door panel.

2.2a



Start from driving the screws through from the inside of the door panel, stopping just as the threads appear on the outside.

Fasten the handle (2a) to the door panel with the two 5/8" screws (2e). Use Phillips head screwdriver.

2.1b



From the outside of the door panel, position the latch strike (2b) over the holes and fasten with the lockwashers (2f) and #10 screws (2d) as shown. Use the Phillips screwdriver to tighten the screws.

2.2b



Then position the handle over the screws and drive them the rest of the way. **Be careful not to overtighten the screws, or you may risk cracking the handle.**

STEP 3 – FRONT PANEL ASSEMBLY

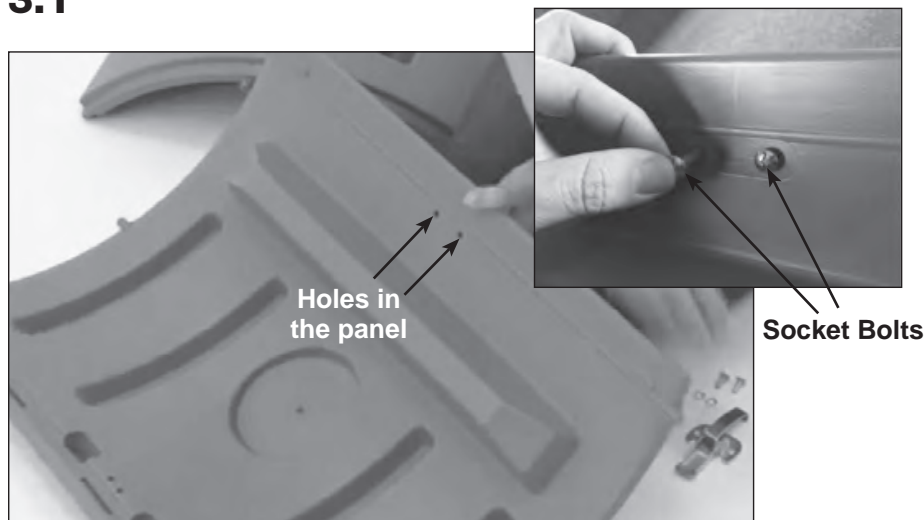
WHAT YOU'LL NEED

Tools: Phillips screwdriver

Hardware: 3a - Latch
3b - Socket bolts
3c - Screws #10
3d - Lockwashers

Parts: Item 3 - (1) Front panel (with 2 holes at one edge)

3.1



As in step 2, from the inside of the front panel, push the socket bolts (3b) through the holes in the front panel.

3.2



From the outside of the front panel, position the latch (3a) over the holes and fasten with the lockwashers (3d) and #10 screws (3c) as shown. **Tip:** While tightening the #10 screws, you may need to use the flat screwdriver to prevent the socket bolts from turning.



STEP 4 – DRUM ASSEMBLY

WHAT YOU'LL NEED

- Tools:** Phillips screwdriver
- Hardware:** 4a - Screws #10 x 1" (2.54cm)
4b - Flat washers 5/16" (8mm)
- Parts:** Item 1 - (2) Endcaps
(1) Aerator assembly (from step 1)
(1) Front panel (panel with Latch from step 3)
Item 5 - (1) Back panel

4.1



Place one endcap face down (with raised edge lip facing up) on the ground and insert the aerator panel assembly into the channel directly opposite the D-hole vent. (The posts on the edge of the panel will mate with the holes in the endcap)

4.2



Insert the front panel assembly (with latch) into the endcap with one end overlapping the aerator panel assembly making certain that the edge of the front panel containing the latch is near the OPEN area. The open area is for the door.

Here again, the posts on edge of the panel will mate with the holes in the endcap.

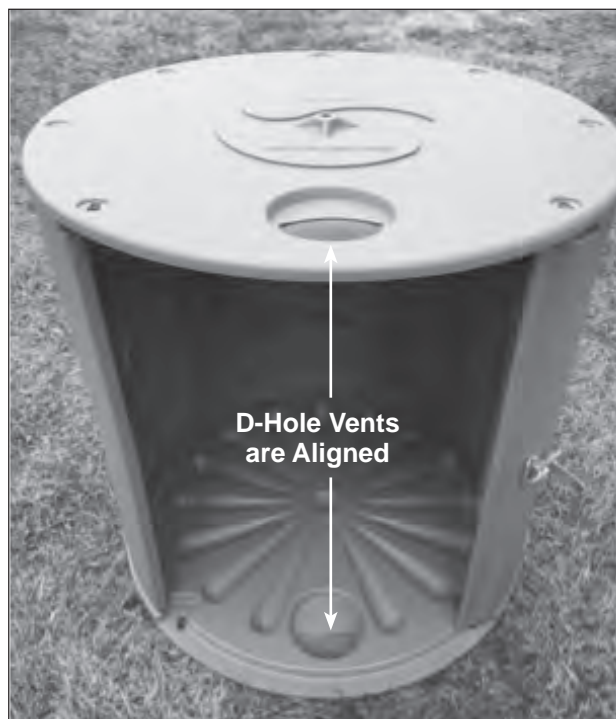
4.3



Back Panel Assembly

Insert the back panel assembly on the other side of the aerator panel, once again mating the posts on the edge of the panel with the holes in the endcap.

4.4



Place the other endcap on top of the drum, aligning the holes with the posts on the panel edges and aligning the D-hole Vents at the door opening.

4.5



Use the Phillips screwdriver, screws (4a), and flatwashers (4b) to fasten the endcap

4.6



Turn over the drum assembly and fasten the other endcap with the remaining screws and flatwashers.



STEP 5 – DOOR INSTALLATION

WHAT YOU'LL NEED

- Tools:** None
- Hardware:** None
- Parts:** (1) Door assembly (from step 2)
(1) Drum assembly (from step 4)

Note: The door is designed to be removed to make it easier to fill and empty the ComposTumbler.

5.1



With the door in the OPEN position, guide the bottom tab into the slot on the endcap as shown.

5.2



Pull the other endcap slightly upward and guide the other tab into the slot in the endcap.

5.3



Secure the door by hooking the latch claw into the latch strike and pushing the latch away from the strike.

Note: Be sure the tabs extend all the way through the endcaps before trying to close the door. As the door closes, these tabs will rotate and lock themselves into the endcaps. To remove the door, simply reverse the process (open the door, pull up slightly on the top endcap, and pull the tabs from the endcap slots).

STEP 6 – FRAME/DRUM ASSEMBLY

WHAT YOU'LL NEED

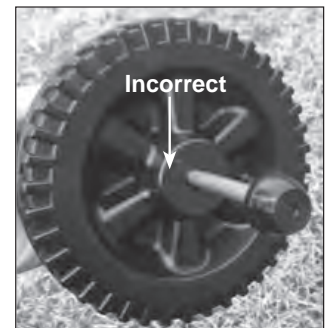
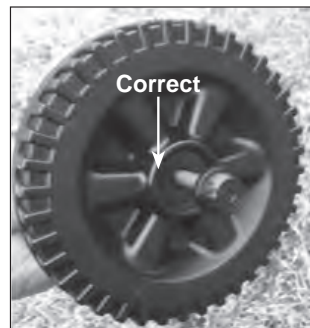
- Tools:** Hammer
7/16" wrench
Adjustable wrench
- Hardware:** 6a - Bolts 1/4" x 3-1/4" (6mm x 8.25cm)
6b - Axle rod caps
6c - Axle bushings
6d - Flatwashers 1/4" (6mm)
6e - 1/4" Lock nuts
- Parts:** (1) Drum assembly (from step 4)
Item 9 - (1) Axle rod
Item 10 - (2) Wheels
Item 11 - (1) Handle
Item 12 - (2) Legs
Item 13 - (1) Brace

6.1

Use the hammer to tap an axle rod cap (6b) onto one end only of the axle rod (9)

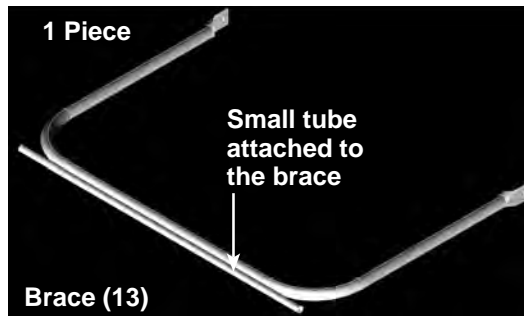
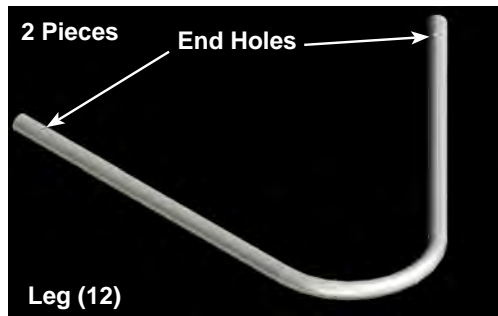


6.2



Slide one wheel (10) onto the open end of the axle rod. **Note:** be sure the axle rod cap fits into the "cup" in the center of the wheel as shown.

6.3



Reference: Parts used in this step

Pass the rod through the end hole in one of the legs (12), and then through the small tube attached to the brace (13).

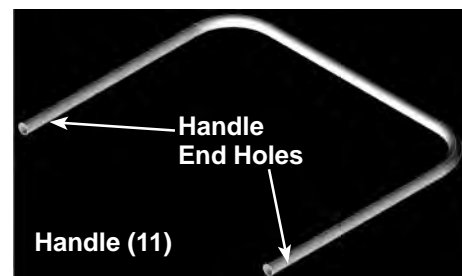
6.4



Pass the open end of the rod through the other leg (12), slide the other wheel onto the rod, and attach it with the axle rod cap (6b).

Tip: Be sure that the second wheel is oriented correctly before attaching cap.

6.5



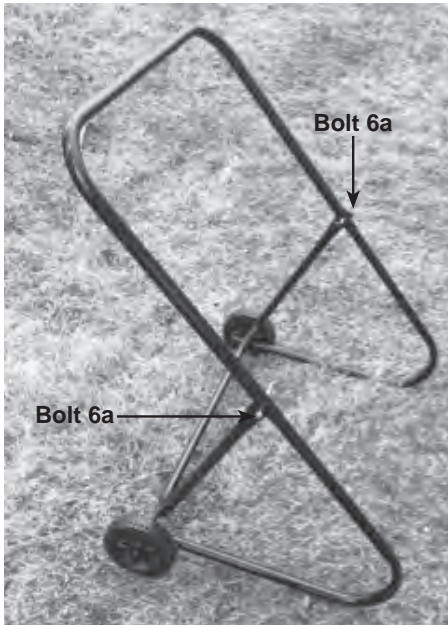
Reference: Part is used in this step

Slide the ends of the handle (11) over the ends of both legs and align the holes.

Lift the brace (13) to align the hole in each flattened end with the hole in the handle/leg. **Note:** The flattened end of the brace must be on the outside of the handle/leg.



6.6



Completed Frame Assembly

Insert a 1/4" x 3-1/4" bolt (6a) through the holes in the brace, handle, and leg. Note: Do not push the bolt all the way through; stop after it passes through the holes on the inside of the handle/leg. Repeat for both sides.

6.7



Insert the drum assembly between the frame legs and push the 1/4" x 3-1/4" bolts (6a) all the way through the center holes in each endcap to secure the drum to the frame assembly.

6.8



Open or remove the door and reach into the drum to slide an axle bushing (6c), washer (6d), and locknut (6e) onto each of the bolts.

Use the 7/16" and adjustable wrenches to tighten the locknuts.

Your ComposTumbler is now completely assembled and ready to use.
Read your operating instructions manual, "How to Make Superior Compost", carefully before starting your first batch of compost.

Mantis Warranty Statement

Limited Warranty

| Products Covered by This Warranty | LENGTH OF WARRANTY: FROM DATE OF ORIGINAL PURCHASE |
|--|---|
| Mantis 7000 Series Tiller/Cultivator | 2 years |
| Mantis 3000 Series Electric Tiller/Cultivator | 1 year |
| Mantis Composters | 2 years |
| Mantis Battery Operated Blower | 1 year |
| Mantis Battery Operated String Trimmer w/o battery | 1 year |
| Mantis Blower and String Trimmer Combo w/ battery | 1 year |
| Mantis Attachments (for 7000 Series Tillers) | 90 days |

Mantis products are warranted against defects in materials and workmanship for a period of time shown in the above table from the date of purchase from an authorized dealer or retailer (as shown on mantis.com) by the original purchaser only, and under the following terms and conditions. Schiller Grounds Care's responsibility under this limited warranty is restricted to repairing or replacing, at its option, any covered part found to be defective in material or workmanship during the warranty period. All parts replaced under warranty will be considered as part of the original product and any warranty on the replaced parts will expire coincidentally with the original product warranty.

SCHILLER GROUNDS CARE, INC. MAKES NO EXPRESS OR IMPLIED WARRANTIES, REPRESENTATIONS, OR PROMISES EXCEPT THOSE CONTAINED HEREIN. THERE ARE NO OTHER WARRANTIES, INCLUDING WARRANTIES OF MERCHANTABILITY AND FITNESS FOR A PARTICULAR PURPOSE. ALL WARRANTIES OTHER THAN THE EXPRESS WARRANTY SET FORTH ABOVE ARE SPECIFICALLY DISCLAIMED. THE DURATION OF ANY IMPLIED WARRANTY, INCLUDING MERCHANTABILITY AND FITNESS FOR A PARTICULAR PURPOSE, IS LIMITED TO THE DURATION OF THIS WRITTEN LIMITED WARRANTY.

To Obtain Warranty Service - If you think your Mantis Product is defective in material or workmanship, use the following information to determine your solution. Warranty service must be performed by an authorized Mantis service dealer or authorized service center. *Note: authorized Mantis service dealers and service centers are under NO OBLIGATION to perform warranty work on products not sold through their business.*

| Mantis Product Purchased From: | Contact Instructions |
|---|---|
| Online Retailer (all except Mantis.com) | Contact Customer Support for the Online Retailer |
| Mantis.com | Schiller Grounds Care, Inc. 1-800-366-6268 or 215-355-9700 www.mantis.com/contact-us www.mantis.com/mantis-owners-product-support/ |
| Retail Store | Contact Customer Support for the Retail Store |
| Authorized Mantis Dealership | Contact the Mantis Dealership |

ABOUT YOUR WARRANTY

The warranty period begins on the date of purchase by the original customer from an authorized Mantis dealer, retailer, or from Mantis.com and is not transferable. Warranty service must be performed by an authorized Mantis service dealer or authorized service center. If a warranty replacement becomes necessary, the authorized dealer or service center must be prepared to provide the physical component for verification (freight prepaid) upon request from Schiller Grounds Care. Warranty service will be performed without charge to the original purchaser for parts and labor. The original purchaser is responsible for the expense of delivering the equipment, part, or accessory to and from an authorized dealer's service center. The purchaser is responsible for any premium charged for overtime labor requested by the purchaser and for any service and/or maintenance not directly related to any defect covered under this limited warranty. Proof of purchase will be required to substantiate any warranty claim. Without proof of the initial purchase date from an authorized dealer or seller, the manufacturing date of the product will be used to establish the warranty period. Warranty communication and transactions are limited to the authorized service center staff and Schiller Grounds Care.

Mantis Warranty Statement

EXCLUSIONS

This warranty only covers defects in materials or workmanship.

Engines and Other Manufacturers - Schiller Grounds Care makes no warranty with respect to engines or engine parts such as spark plugs, lubricants, starters, and carburetors. The engine warranty is covered by the engine manufacturer. Consult the Operator's Manual for the engine provided with your product or ask an authorized dealer for the terms and conditions of these warranties. Schiller Grounds Care makes no warranty with respect to other parts not of its manufacture such as tires, batteries, gearboxes, or similar. These other parts may be covered by the warranties of their respective manufacturers.

Wear Items - This limited warranty does not cover damages or defects from normal wear and tear. This limited warranty does not include routine maintenance and normal maintenance parts, including but not limited to wheels, blades, tines, handles, housing, panels, gears, legs, cables, bearings, or accessories.

Negligence and Improper Maintenance or Repair - This limited warranty does not cover any equipment that has been subject to lack of reasonable and proper maintenance, misuse, lack of proper storage, or accidents. This limited warranty does not cover any damage to the equipment that is caused by a freight carrier or is the result of failure to follow the operating instructions within the Owner's Manual. This limited warranty does not cover any defects due to repairs, modifications, or alternations made to the product by anyone other than Schiller Grounds Care, Inc. or its authorized dealers or authorized service centers. In addition, this limited warranty does not cover repairs made necessary due to a lack of proper protection during storage. This limited warranty does not cover damage caused by the use of parts, supplies, or accessories, including, without limitation, filters, spark plugs, carburetors, ignition, drive belts, brakes, gasoline, fuel, oil, or lubricants, which in the reasonable judgment of Schiller Grounds Care, are either incompatible with the product, adversely affect its operation, performance, durability or are other than as recommended in the Operator's Manual or other operational instructions provided by Schiller Grounds Care.

Improper Use - This limited warranty does not cover any Mantis Product, part, or accessory that (i) has been subject to misuse, abuse, neglect, negligence, or accident, or that has not been assembled, operated, or maintained in accordance with the operating or maintenance instructions specified in the Operator's Manual; or (ii) has been altered or modified so as to adversely affect its operation, performance or durability, or that has been altered or modified in ways not approved by Schiller Grounds Care. To the extent permitted by law, neither Schiller Grounds Care nor any company affiliated with it makes any warranties, representations, or promises as to the quality, performance, or freedom from defect of the Mantis Product, part, or accessory covered by this limited warranty. The authorized dealer makes no warranty of its own and such dealer has no authority to make any representation, warranty, or promise on behalf of Schiller Ground Care or to modify the terms or limitations of this limited warranty in any way.

Other Exclusions - This limited warranty does not include reconditioned, refurbished, used, or demonstration equipment. This limited warranty excludes failures due to acts of nature beyond the manufacturer's control.

Extended Warranty - Schiller Grounds Care disclaims responsibility for any separately purchased extended warranty. ALL WARRANTIES OTHER THAN THE EXPRESS WARRANTY SET FORTH ABOVE ARE SPECIFICALLY DISCLAIMED. THE DURATION OF ANY IMPLIED WARRANTY, INCLUDING MERCHANTABILITY AND FITNESS FOR A PARTICULAR PURPOSE, IS LIMITED TO THE DURATION OF THIS WRITTEN LIMITED WARRANTY.

Disclaimer of Consequential Damage - Schiller Grounds Care disclaims any responsibility for incidental or consequential damages including, but not limited to, the expense for gasoline, the expense of delivering the product to an authorized service dealer, the expense of returning the product to the purchaser, mechanic's travel time, telephone charges, rental of a like product during the repair timeframe, travel, loss of revenue, loss of time, or inconvenience. SCHILLER GROUNDS CARE, INC. DISCLAIMS ALL LIABILITY FOR INDIRECT, INCIDENTAL, AND/OR CONSEQUENTIAL DAMAGES IN CONNECTION WITH THE USE OF THE MANTIS PRODUCTS COVERED BY THIS LIMITED WARRANTY. SOME STATES DO NOT ALLOW LIMITATIONS ON HOW LONG AN IMPLIED WARRANTY LASTS AND/OR DO NOT ALLOW THE EXCLUSION OR LIMITATION OF INCIDENTAL OR CONSEQUENTIAL DAMAGES, SO THE ABOVE LIMITATIONS AND EXCLUSIONS MAY NOT APPLY TO YOU. THIS WARRANTY GIVES YOU SPECIFIC LEGAL RIGHTS, AND YOU MAY ALSO HAVE OTHER RIGHTS WHICH VARY FROM STATE TO STATE.



1028 Street Rd, Southampton, PA 18966
1-800-366-6268

If you have any questions or problems with your CompostTumbler assembly that aren't covered by this booklet, please call us at 1-800-366-6268. We'll be happy to help!

Mantis
1028 Street Road
Southampton, PA 18966
1-800-366-6268
www.mantis.com