



COMPACT CompostTumbler®



MAN 430187

Rev. A 10-18-22

Model CT02001

ASSEMBLY



Compact ComposTumbler™ Assembly Instructions

Tools You Will Need

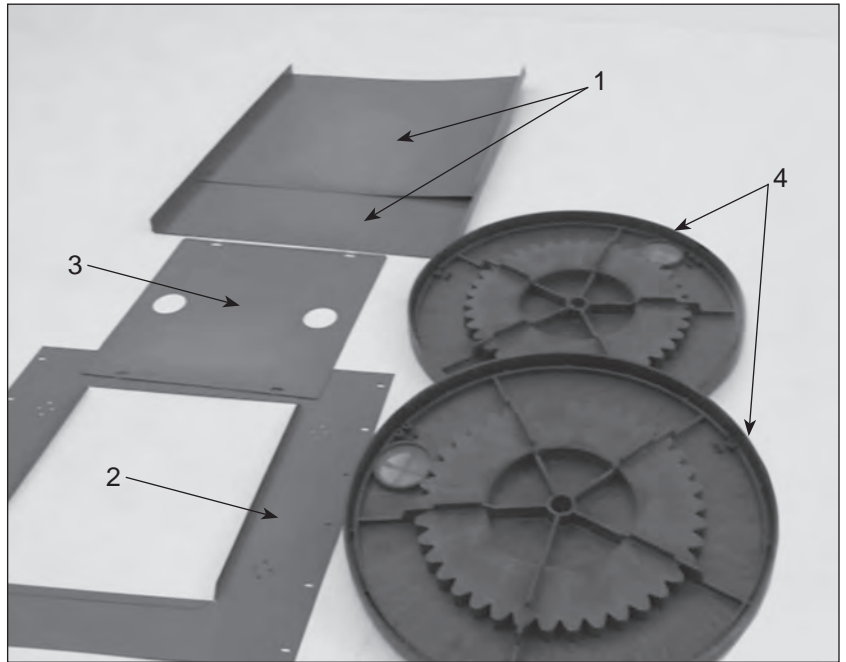
- 3/8" wrench
- 7/16" wrench
- 9/16" wrench
- Adjustable wrench
- Plain (or needle nose) pliers
- Flat screwdriver
- Phillips screwdriver



Everything else you will need is included with your Compact ComposTumbler.

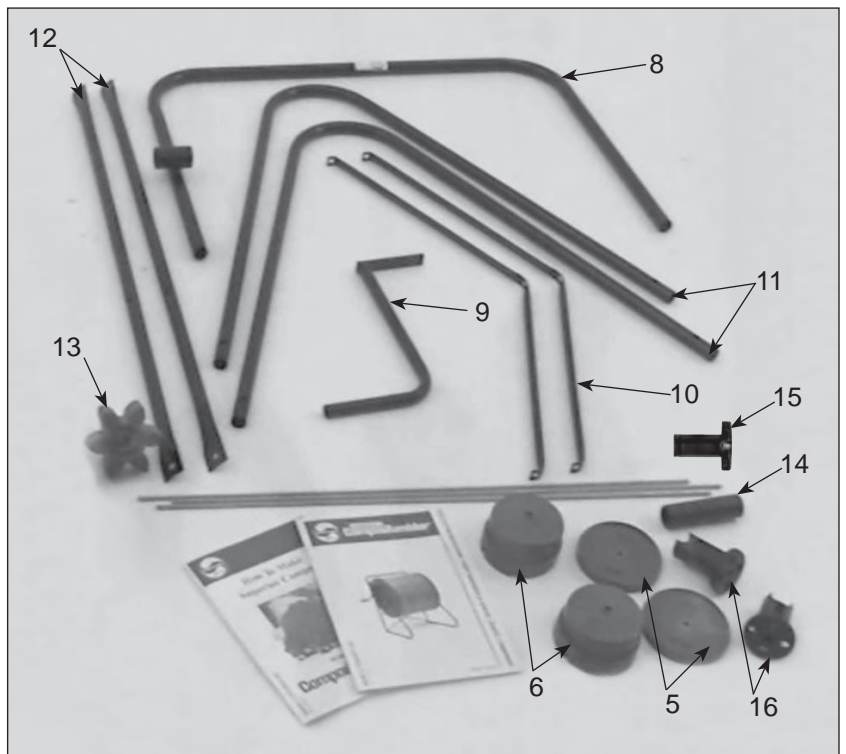
Drum Assembly Parts

Item	Part #	Description	Qty
1	CT02054-00	Drum Panel A	2
2	CT02055-00	Drum Panel B	1
3	CT01839-00	Door	1
4	200239	Endcap	2
5	CT01698-00	Aerator Base	2
6	CT01699-00	Aerator Cap	2
7	CT01691-01	Tie Rod	3



Frame Assembly Parts

Item	Part #	Description	Qty
8	CT02052-00	Drive Support	1
9	CT01915-00	Drive Handle	1
10	CT02053-00	Brace	2
11	CT02050-00	Frame Leg	2
12	CT02051-00	Strut	2
13	200240	Drive Gear	1
14	CT02048-00	Grip	1
15	CT02049-00	Grip Cap	1
16	CT02047-00	Stub Axle	2

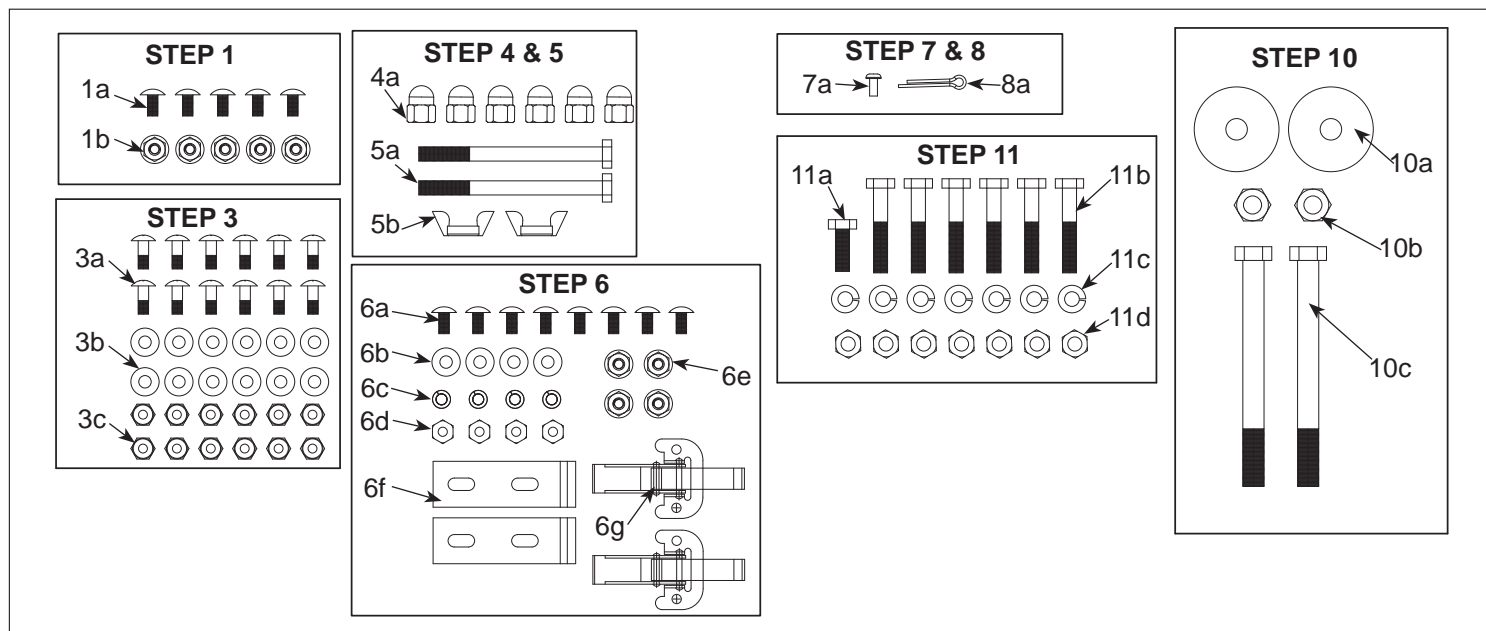




Hardware for the Compact ComposTumbler

Item	Description	Qty
Step 1		
1a	10-32 X 3/8 Machine Screw, Slotted Truss Head, Steel, Zinc Plated	5
1b	10-32 Serrated Flange Locknut	5
Step 3		
3a	10-24 X 1/2 Special Phillips Truss Head Shoulder Bolt, Steel, Yellow Zinc Plated	12
3b	#10 SAE Flat Washer Steel, Zinc Plated	12
3c	10-24 Nylon Insert Lock Nut, NM, Steel, Zinc Plated	12
Step 4 & 5		
4a	1/4-20 Acorn Cap Nut High Crown (7/16X19/32), Steel, Zinc Plated	6
5a	1/4-20 X 3 1/4 Hex Head Cap Screw Grade 2, Steel, Zinc Plated	2
5b	1/4-20 Wing Nut Steel, Zinc Plated	2
Step 6		
6a	10-32 X 3/8 Machine Screw, Slotted Truss Head, Steel, Zinc Plated	8
6b	#10 SAE Flat Washer Steel, Zinc Plated	4
6c	#10 Medium Split Lock Washer, Steel, Zinc Plated	4
6d	10-32 Hex Nut Grade 2, Steel, Zinc Plated	4
6e	10-32 Serrated Flange Locknut	4
6f	Latch Hook, Zinc Plated	2
6g	Latch, Steel, Zinc Plated	2
Step 7 & 8		
7a	#6 X 5/16 Phillips Pan Head Type B Sheet Metal Screw, Steel Zinc Plated	1
8a	1/8 X 3/4 Cotter Pins Stl Zinc	1
Step 10		
10a	3/8 X 1 1/2 Fender Washer Steel, Grade 2, Zinc Plated	2
10b	3/8-16 Hex Two Way Locknut , Steel, Zinc Plated	2
10c	3/8-16 X 4 Hex Head Cap Screw, Grade 2, Steel, Zinc Plated	2
Step 11		
11a	1/4-20 X 3/4 Hex Head Cap Screw, Grade 2, Steel, Zinc Plated	1
11b	1/4-20 X 1 1/2 Hex Head Cap Screw, Grade 2, Steel, Zinc Plated	6
11c	1/4 Medium Split Lock Washer, Steel, Zinc Plated	7
11d	1/4-20 Finished Hex Nut Steel , Zinc Plated	7

All hardware can be found in the enclosed hardware bags. You will see that the items needed for each step have been grouped together.





READ THIS FIRST!

Watch the instruction
videos found on
Mantis.com to get
started in no time!



ATTENTION! Your Compact ComposTumbler may be too large to fit through some doorways when assembled. You should build it in a space with easy access to the area where it will be used.

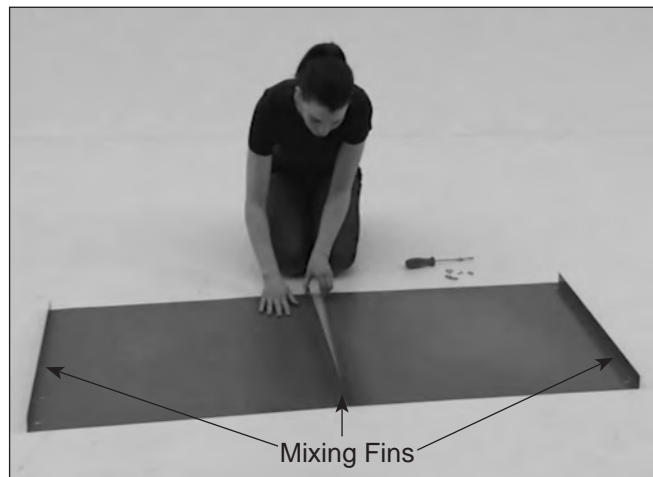
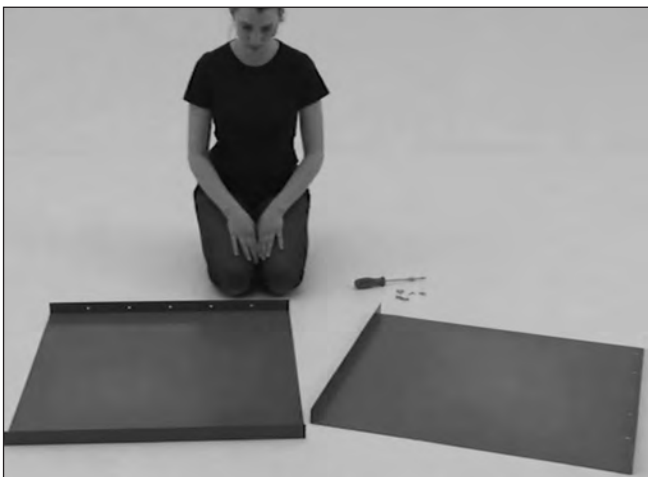
Assembly is divided into two major sub-assemblies: Drum and Support Frame.

DRUM ASSEMBLY STEP 1 – JOINING THE DRUM PANELS

WHAT YOU'LL NEED

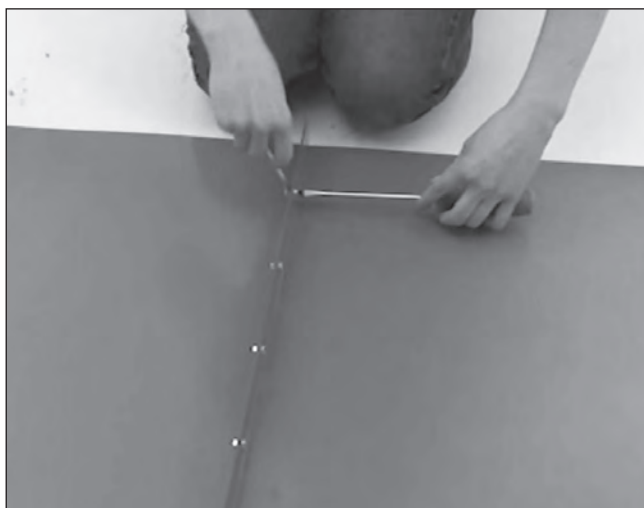
- Tools:** Regular screwdriver
3/8" wrench
- Hardware:** 1a - (5) 10-32 x 3/8 Machine screw (silver)
1b - (5) 10-32 Serrated flange locknut
- Parts:** Item 1 - (2) Drum panel segments

1.1



Place the drum panels (item 1) on a flat surface with the mixing fins facing up.

1.2



Align them by matching up the holes in the fins. Fasten the panels together with the screws (1a) and serrated nuts (1b). Use the regular screwdriver and 3/8" wrench to tighten the nuts.

STEP 2 – DRUM ASSEMBLY

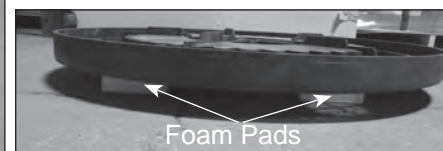
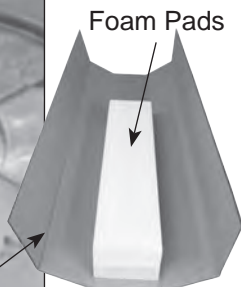
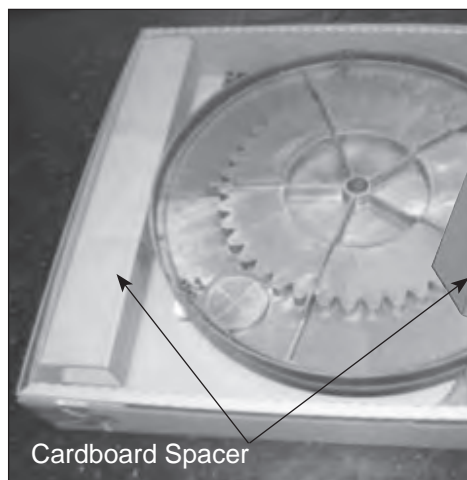
WHAT YOU'LL NEED

Tools: None

Hardware: None

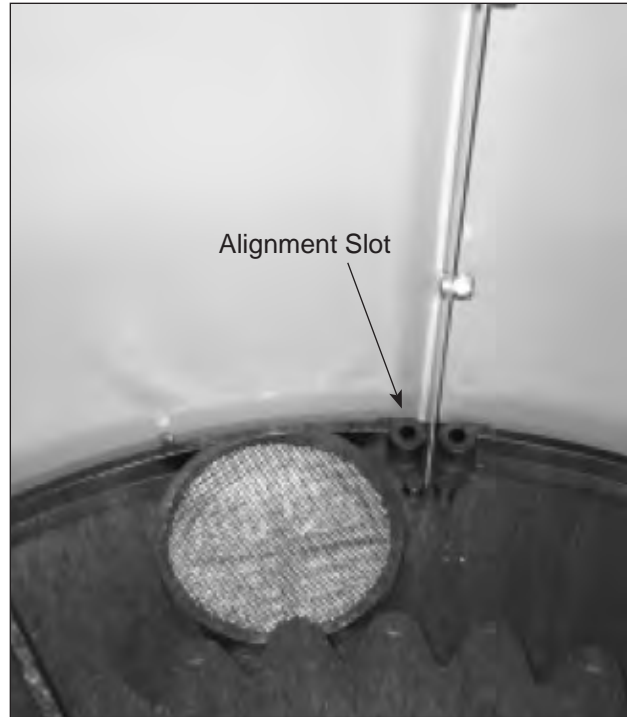
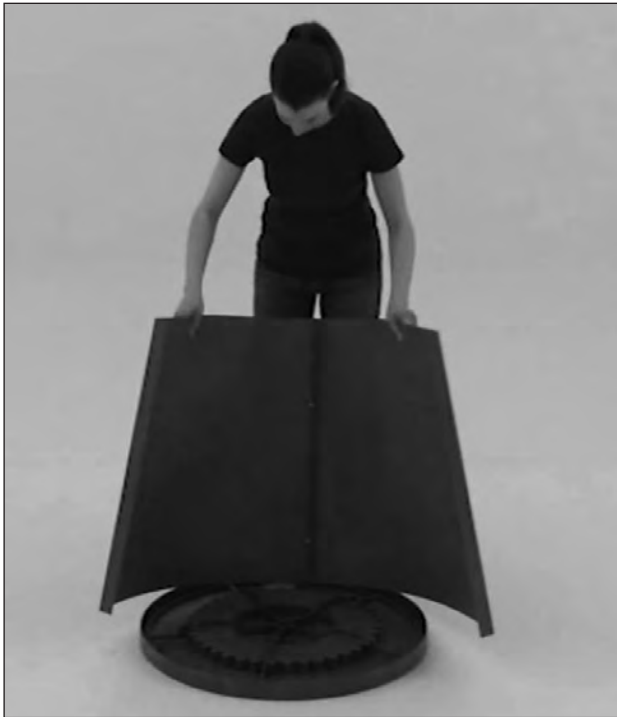
Parts: Item 4 - (1) Endcap
 (2) Foam Pads
 Drum body assembly (from step 1)

2.1

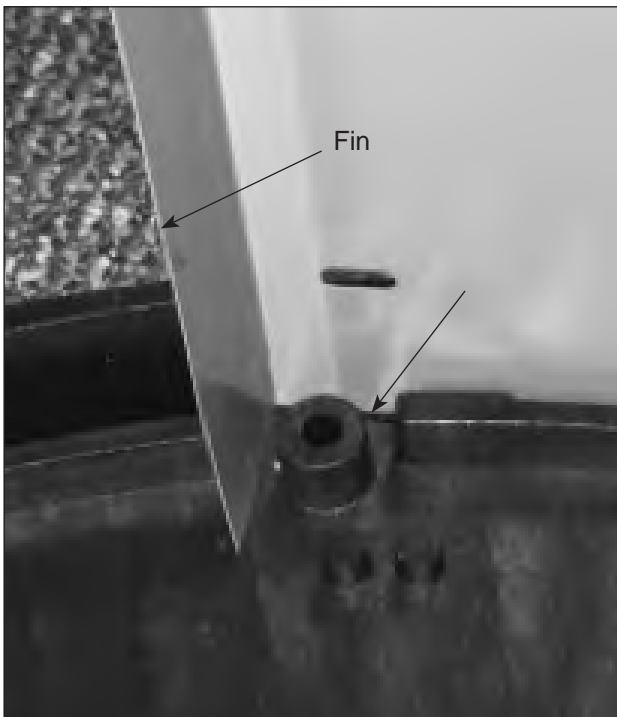


Remove 2 foam pads packaged inside of the cardboard spacer and place them on the floor. Place the endcap (Item 4) with the "Compact ComposTumbler" lettering facing down—on the pads.

2.2



Place the edges of the drum body assembly from step 1 inside the endcap. Be sure to place the fins you joined in step 1 in the alignment slot near the screen of the vent opening.



Note that the fins on the end of the drum body extend beyond the slots.

Step 2 Complete

STEP 3 – DRUM PANEL B ASSEMBLY

WHAT YOU'LL NEED

- Tools:** Philips screwdriver
3/8" wrench
- Hardware:** 3a - (12) 1/2" Philips truss head shoulder bolts
3b - (12) Flat washers
3c - (12) Nylon insert lock nuts
- Parts:** Item 2 - (1) Drum Panel B

3.1



With the fins on the Drum Panel B opening facing into the drum, insert drum panel B into the remaining open space in the endcap.

3.2



Align the holes and fasten drum panel B to the drum with the shoulder bolts, washers, and lock nuts.

STEP 4 – ENDCAP INSTALLATION

WHAT YOU'LL NEED

- Tools:** 7/16" wrench
Adjustable wrench
- Hardware:** 4a - (6) 1/4" Acorn cap nuts
- Parts:** Item 4 - (1) Endcap
Item 7 - (3) Tie rods

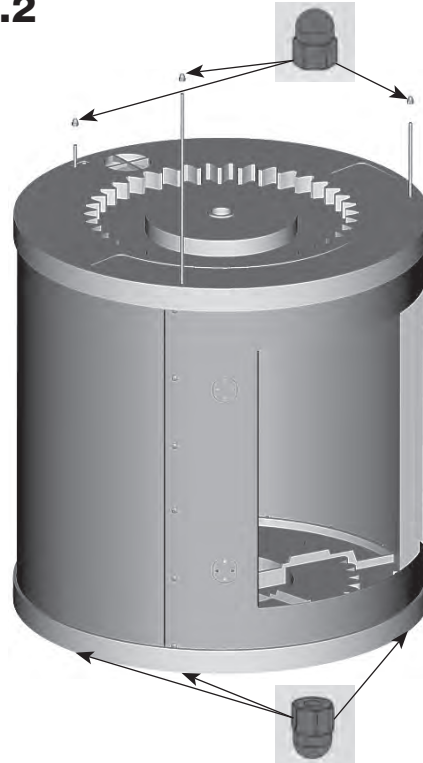


4.1



Place the second endcap on the open end of the assembled drum. Note that when the endcap is properly aligned, the vent openings will be on opposite sides of the same center mixing fin.

4.2



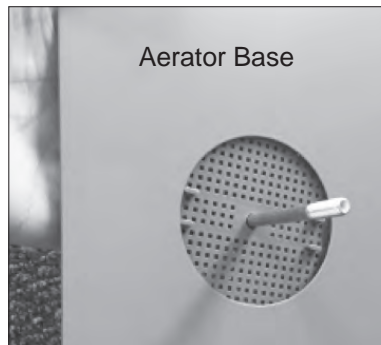
Thread an acorn cap nut onto one end of each of the tie rods (2-3 turns only) and insert the rods through the holes in the end cap. Guide the other end of each tie rod through the hole in the opposite endcap. Reach out the endcap and thread acorn cap nuts over the other ends of the tie rods. Tighten all acorn cap nuts with the wrenches.

STEP 5 – ENDCAP INSTALLATION

WHAT YOU'LL NEED

- Tools:** None
- Hardware:** 5a - (2) 1/4-20 x 3-1/4" Hex head cap screws
5b - (2) 1/4-20 Wing nuts
- Parts:** Item 3 - (1) Door
Item 5 - (2) Aerator base
Item 6 - (2) Aerator cap

5.1



Insert a 3-1/4" long Hex head cap screw through the aerator base and position the two pieces on the outside of the door as shown below.

5.2



Slide the aerator cap over the hex head screw and fasten with the wing nut (finger tight only)

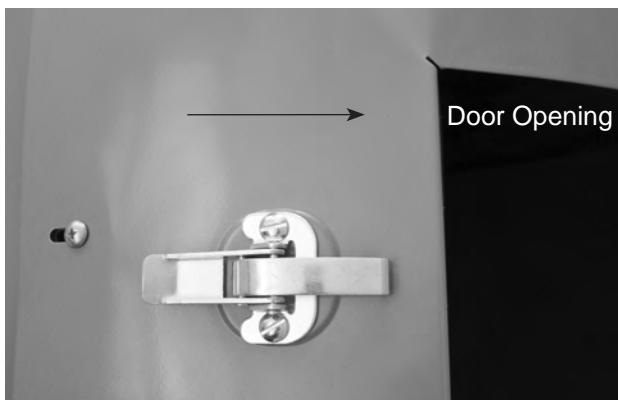
5.3 Repeat steps 5.1 and 5.2 with the second aerator base and cap.

STEP 6 – LATCH/LATCH HOOK INSTALLATION

WHAT YOU'LL NEED

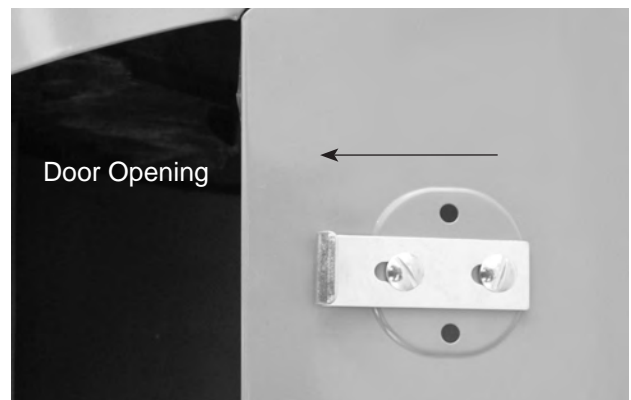
- Tools:** Flat screwdriver
3/8" wrench
- Hardware:** 6a – (8) 10-32 x 3/8" machine screws
6b - (4) #10 flat washers
6c - (4) #10 split lock washers
6d – (4) 10-32 hex nuts
6e – (4) 10-32 serrated flange locknuts
6f - (2) Latch hooks
6g - (2) Latches
- Parts:** Complete Drum assembly (from step 4)

6.1



Attach the latches (6g) to one side of the door opening with the hooks of the latches positioned toward the opening. Secure them with #10 screws (6a) and serrated flange locknuts (6e) with the Bolt Head on top of the Latch. Use the screwdriver and 3/8" wrench to tighten the latches.

6.2



Position the Latch Hooks on the other side of the panel opening with the hook ends toward the opening and attach them with the #10 screws (6a), flat washers (6b), split lock washers (6c), and hex nuts (6d). Be sure the flat washer, lock washer and nut are on the underside of the panel in the recess, with the Bolt head on top of the Latch Hook. Use the screwdriver and 3/8" wrench to tighten the latch hooks.



DRIVE GEAR AND FRAME ASSEMBLY STEP 7 – INSTALLING THE GRIP

WHAT YOU'LL NEED

- Tools:** Philips screwdriver
- Hardware:** 7a - (1) Philips pan head sheet metal screw
- Parts:** Item 9 - (1) Drive handle
Item 14 - (1) Grip
Item 15 - (1) Grip cap

7.1

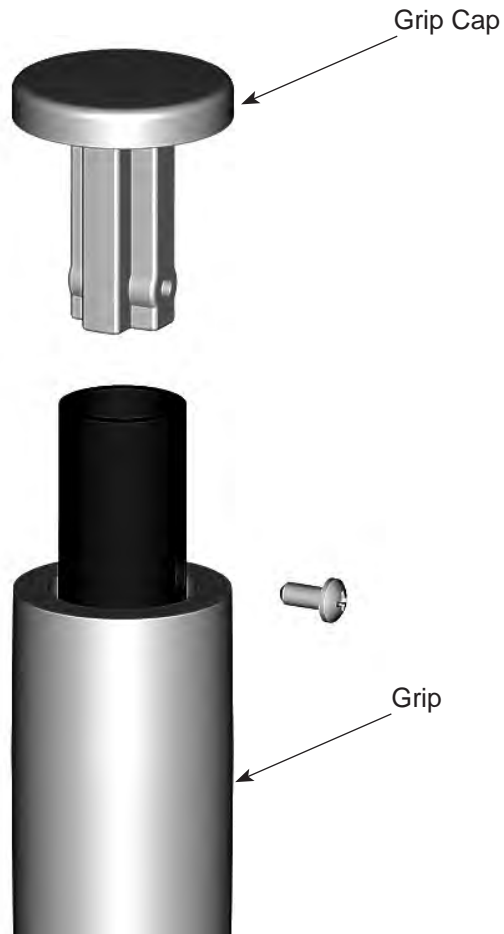


Slide the grip onto the end of the drive handle.

7.2



Push the grip cap into the end of the handle, making sure to align the holes. Secure the grip cap with the sheet metal screw and Philips screwdriver.



STEP 8 – INSTALLING THE DRIVE GEAR

WHAT YOU'LL NEED

- Tools:** Plain (or needle nose) pliers
- Hardware:** 8a - (1) Cotter pin
- Parts:** Item 8 - (1) Drive support
Item 13 - (1) Drive gear

8.1



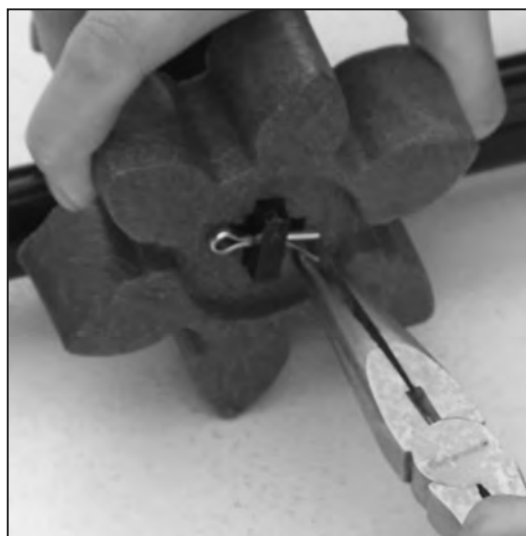
Push the drive gear through the tube in the drive support with the gear on the inside of the drive support.

8.2



Insert the handle bar in the drive gear and fasten it with the cotter pin.

8.3



Use the pliers to bend the pin leg as shown below.

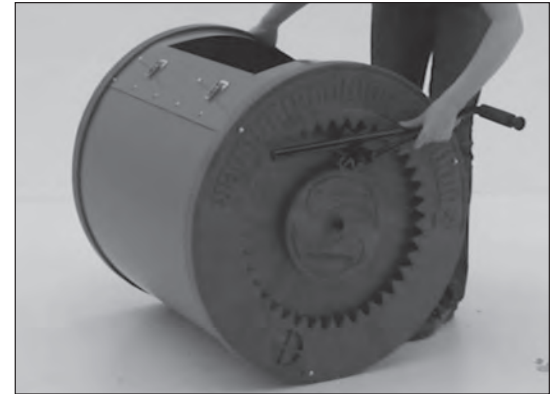


STEP 9 – INSTALLING THE DRIVE SUPPORT

WHAT YOU'LL NEED

- Tools:** None
- Hardware:** None
- Parts:** Drive gear and support assembly from step 8.
Assembled Drum from step 6

9.1



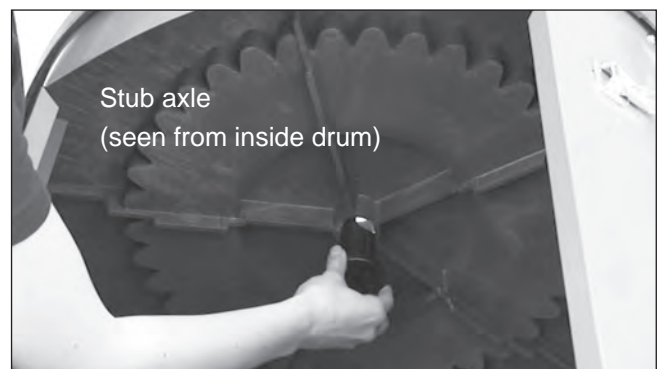
Guide the drive gear into the guide recess of one endcap as shown.

STEP 10 – ATTACHING THE FRAME

WHAT YOU'LL NEED

- Tools:** Adjustable wrench
9/16" wrench
- Hardware:** 10a - (2) 3/8" x 1-1/2" Fender washer
10b - (2) 3/8" Two way locknut
10c - (2) 3/8" x 4" Hex head cap screw
- Parts:** Item 16 - (2) Stub axle
Item 11 - (2) Frame leg

10.1



From inside the drum, insert one of the stub axles through the center hole in the endcap.

10.2



On the outside of the endcap, position the drive support into the channel on the end of the stub axle

10.3



Insert one of the frame legs into the open end of the drive support and align the holes.

10.4



Fasten the frame leg, drive support, and endcap using the hex cap screw, washer, and locknut. Tighten the hardware with the adjustable and 9/16" wrenches. Note: The washer and nut should be on the inside of the drum.

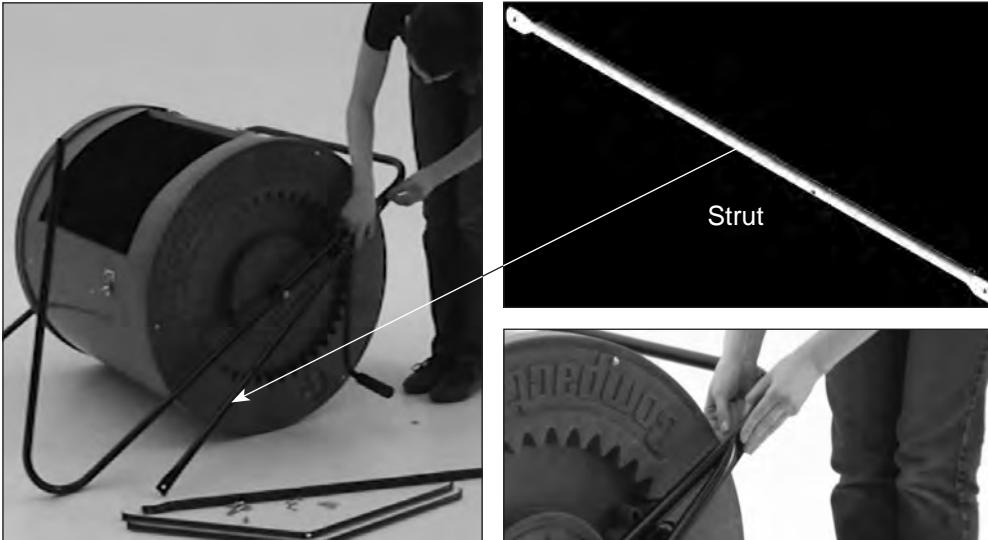
10.5 Repeat steps 10.1 through 10.4 for the other end.

STEP 11 – COMPLETING THE FRAME

WHAT YOU'LL NEED

- Tools:** Adjustable wrench
7/16" wrench
- Hardware:** 11a - (1) ¼-20 x ¾" Hex head cap screw
11b – (6) ¼-20 x 1-1/2" Hex head cap screw
11c – (7) ¼ Medium split lock washer
11d – (7) ¼-20 Hex nut
- Parts:** Item 12 - (2) Strut
Item 10 - (2) Brace

11.1



Position the flattened face of a strut against the outside of the drive assembly and fasten with a 1-12" hex head cap screw, lock washer, and hex nut (finger tighten only at this point). Note: You should use the end of the strut that does not have a second hole close to the end.

11.2

Repeat with the second strut on the other side.

11.3



Push a hex screw through the hole in the end of the frame leg and attach the other end of the strut. Note: Do not add any washers/nuts at this time.

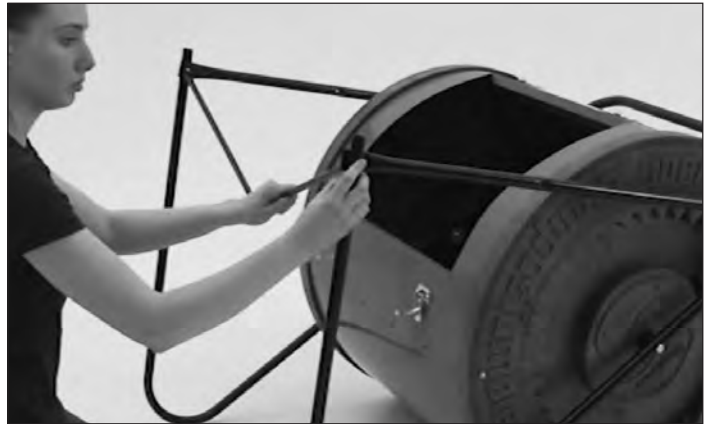


11.4



Repeat with the second frame leg on the other side.

11.5



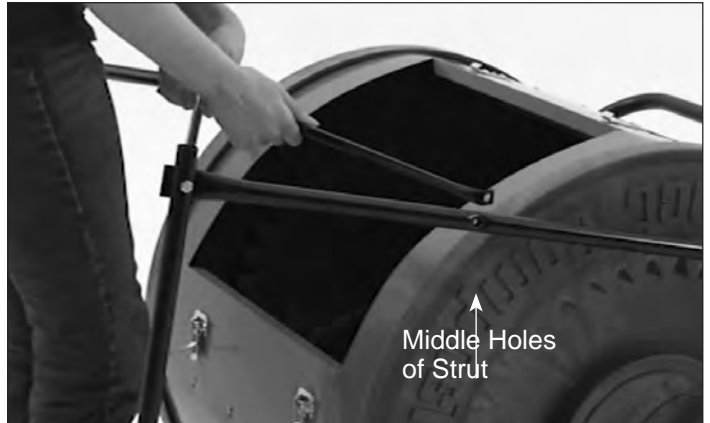
Place one of the braces onto the screws and fasten it with lock washers and nuts.

11.6



Attach the second brace to the first using the $\frac{1}{4} \times \frac{3}{4}$ " hex head cap screw, lock washer, and nut.

11.7



Rotate the braces toward the drum and fasten them to the middle holes of the struts as shown below.

11.8



Use the adjustable and $\frac{7}{16}$ " wrenches to tighten the screws and nuts. Note: Remember to tighten the screws used to connect the struts to the drive assembly in step 11.1.

STEP 12 – ATTACHING

WHAT YOU'LL NEED

Tools:	None
Hardware:	None
Parts:	Door assembly from step 5

12.1



Note: Door tension can be adjusted; Latch Hooks have slots and can be moved up or down if needed

Attach the door by fitting the slots on one side onto the latch hooks, then closing the door with the latches on the other side.

Your ComposTumbler is now completely assembled and ready to use.
Read your operating instructions manual, "How to Make Superior Compost", carefully before starting your first batch of compost.

Mantis Warranty Statement

Limited Warranty

Products Covered by This Warranty	LENGTH OF WARRANTY: FROM DATE OF ORIGINAL PURCHASE
Mantis 7000 Series Tiller/Cultivator	2 years
Mantis 3000 Series Electric Tiller/Cultivator	1 year
Mantis Composters	2 years
Mantis Battery Operated Blower	1 year
Mantis Battery Operated String Trimmer w/o battery	1 year
Mantis Blower and String Trimmer Combo w/ battery	1 year
Mantis Attachments (for 7000 Series Tillers)	90 days

Mantis products are warranted against defects in materials and workmanship for a period of time shown in the above table from the date of purchase from an authorized dealer or retailer (as shown on mantis.com) by the original purchaser only, and under the following terms and conditions. Schiller Grounds Care's responsibility under this limited warranty is restricted to repairing or replacing, at its option, any covered part found to be defective in material or workmanship during the warranty period. All parts replaced under warranty will be considered as part of the original product and any warranty on the replaced parts will expire coincidentally with the original product warranty.

SCHILLER GROUNDS CARE, INC. MAKES NO EXPRESS OR IMPLIED WARRANTIES, REPRESENTATIONS, OR PROMISES EXCEPT THOSE CONTAINED HEREIN. THERE ARE NO OTHER WARRANTIES, INCLUDING WARRANTIES OF MERCHANTABILITY AND FITNESS FOR A PARTICULAR PURPOSE. ALL WARRANTIES OTHER THAN THE EXPRESS WARRANTY SET FORTH ABOVE ARE SPECIFICALLY DISCLAIMED. THE DURATION OF ANY IMPLIED WARRANTY, INCLUDING MERCHANTABILITY AND FITNESS FOR A PARTICULAR PURPOSE, IS LIMITED TO THE DURATION OF THIS WRITTEN LIMITED WARRANTY.

To Obtain Warranty Service - If you think your Mantis Product is defective in material or workmanship, use the following information to determine your solution. Warranty service must be performed by an authorized Mantis service dealer or authorized service center. *Note: authorized Mantis service dealers and service centers are under NO OBLIGATION to perform warranty work on products not sold through their business.*

Mantis Product Purchased From:	Contact Instructions
Online Retailer (all except Mantis.com)	Contact Customer Support for the Online Retailer
Mantis.com	Schiller Grounds Care, Inc. 1-800-366-6268 or 215-355-9700 www.mantis.com/contact-us www.mantis.com/mantis-owners-product-support/
Retail Store	Contact Customer Support for the Retail Store
Authorized Mantis Dealership	Contact the Mantis Dealership

ABOUT YOUR WARRANTY

The warranty period begins on the date of purchase by the original customer from an authorized Mantis dealer, retailer, or from Mantis.com and is not transferable. Warranty service must be performed by an authorized Mantis service dealer or authorized service center. If a warranty replacement becomes necessary, the authorized dealer or service center must be prepared to provide the physical component for verification (freight prepaid) upon request from Schiller Grounds Care. Warranty service will be performed without charge to the original purchaser for parts and labor. The original purchaser is responsible for the expense of delivering the equipment, part, or accessory to and from an authorized dealer's service center. The purchaser is responsible for any premium charged for overtime labor requested by the purchaser and for any service and/or maintenance not directly related to any defect covered under this limited warranty. Proof of purchase will be required to substantiate any warranty claim. Without proof of the initial purchase date from an authorized dealer or seller, the manufacturing date of the product will be used to establish the warranty period. Warranty communication and transactions are limited to the authorized service center staff and Schiller Grounds Care.

Mantis Warranty Statement

EXCLUSIONS

This warranty only covers defects in materials or workmanship.

Engines and Other Manufacturers - Schiller Grounds Care makes no warranty with respect to engines or engine parts such as spark plugs, lubricants, starters, and carburetors. The engine warranty is covered by the engine manufacturer. Consult the Operator's Manual for the engine provided with your product or ask an authorized dealer for the terms and conditions of these warranties. Schiller Grounds Care makes no warranty with respect to other parts not of its manufacture such as tires, batteries, gearboxes, or similar. These other parts may be covered by the warranties of their respective manufacturers.

Wear Items - This limited warranty does not cover damages or defects from normal wear and tear. This limited warranty does not include routine maintenance and normal maintenance parts, including but not limited to wheels, blades, tines, handles, housing, panels, gears, legs, cables, bearings, or accessories.

Negligence and Improper Maintenance or Repair - This limited warranty does not cover any equipment that has been subject to lack of reasonable and proper maintenance, misuse, lack of proper storage, or accidents. This limited warranty does not cover any damage to the equipment that is caused by a freight carrier or is the result of failure to follow the operating instructions within the Owner's Manual. This limited warranty does not cover any defects due to repairs, modifications, or alternations made to the product by anyone other than Schiller Grounds Care, Inc. or its authorized dealers or authorized service centers. In addition, this limited warranty does not cover repairs made necessary due to a lack of proper protection during storage. This limited warranty does not cover damage caused by the use of parts, supplies, or accessories, including, without limitation, filters, spark plugs, carburetors, ignition, drive belts, brakes, gasoline, fuel, oil, or lubricants, which in the reasonable judgment of Schiller Grounds Care, are either incompatible with the product, adversely affect its operation, performance, durability or are other than as recommended in the Operator's Manual or other operational instructions provided by Schiller Grounds Care.

Improper Use - This limited warranty does not cover any Mantis Product, part, or accessory that (i) has been subject to misuse, abuse, neglect, negligence, or accident, or that has not been assembled, operated, or maintained in accordance with the operating or maintenance instructions specified in the Operator's Manual; or (ii) has been altered or modified so as to adversely affect its operation, performance or durability, or that has been altered or modified in ways not approved by Schiller Grounds Care. To the extent permitted by law, neither Schiller Grounds Care nor any company affiliated with it makes any warranties, representations, or promises as to the quality, performance, or freedom from defect of the Mantis Product, part, or accessory covered by this limited warranty. The authorized dealer makes no warranty of its own and such dealer has no authority to make any representation, warranty, or promise on behalf of Schiller Ground Care or to modify the terms or limitations of this limited warranty in any way.

Other Exclusions - This limited warranty does not include reconditioned, refurbished, used, or demonstration equipment. This limited warranty excludes failures due to acts of nature beyond the manufacturer's control.

Extended Warranty - Schiller Grounds Care disclaims responsibility for any separately purchased extended warranty. ALL WARRANTIES OTHER THAN THE EXPRESS WARRANTY SET FORTH ABOVE ARE SPECIFICALLY DISCLAIMED. THE DURATION OF ANY IMPLIED WARRANTY, INCLUDING MERCHANTABILITY AND FITNESS FOR A PARTICULAR PURPOSE, IS LIMITED TO THE DURATION OF THIS WRITTEN LIMITED WARRANTY.

Disclaimer of Consequential Damage - Schiller Grounds Care disclaims any responsibility for incidental or consequential damages including, but not limited to, the expense for gasoline, the expense of delivering the product to an authorized service dealer, the expense of returning the product to the purchaser, mechanic's travel time, telephone charges, rental of a like product during the repair timeframe, travel, loss of revenue, loss of time, or inconvenience. SCHILLER GROUNDS CARE, INC. DISCLAIMS ALL LIABILITY FOR INDIRECT, INCIDENTAL, AND/OR CONSEQUENTIAL DAMAGES IN CONNECTION WITH THE USE OF THE MANTIS PRODUCTS COVERED BY THIS LIMITED WARRANTY. SOME STATES DO NOT ALLOW LIMITATIONS ON HOW LONG AN IMPLIED WARRANTY LASTS AND/OR DO NOT ALLOW THE EXCLUSION OR LIMITATION OF INCIDENTAL OR CONSEQUENTIAL DAMAGES, SO THE ABOVE LIMITATIONS AND EXCLUSIONS MAY NOT APPLY TO YOU. THIS WARRANTY GIVES YOU SPECIFIC LEGAL RIGHTS, AND YOU MAY ALSO HAVE OTHER RIGHTS WHICH VARY FROM STATE TO STATE.



1028 Street Rd, Southampton, PA 18966
1-800-366-6268

If you have any questions or problems with your CompostTumbler assembly that aren't covered by this booklet, please call us at 1-800-366-6268. We'll be happy to help!

Mantis
1028 Street Road
Southampton, PA 18966
1-800-366-6268
www.mantis.com