



Tiller/Cultivator



QUICK ASSEMBLY SHEET Model 7945

IMPORTANT NOTE:
Read the Safety Rules &
Warnings before you use
your Mantis tiller

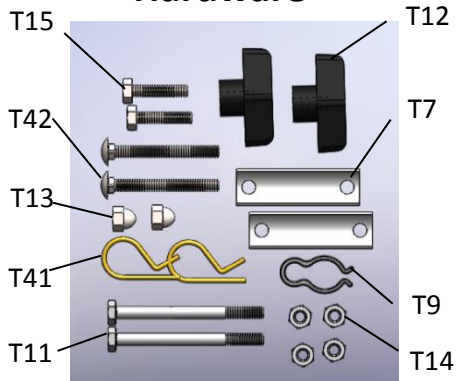


QUICK ASSEMBLY SHEET

Model: 7945

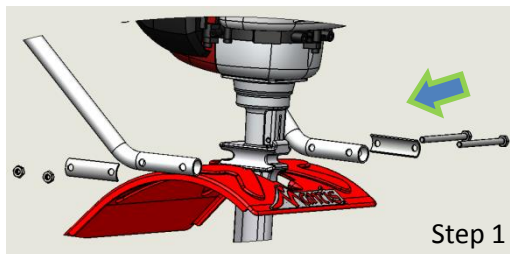
Tools Needed: Two 7/16" wrenches

Hardware



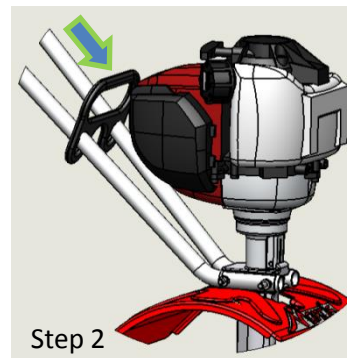
- T15** - 1/4-20 x 1.125" Cap Screws
- T42** - 1/4-20 x 2.25" Carriage Bolts
- T13** - Acorn Nut
- T41** - Tine Retaining Pins
- T11** - 1/4-20 x 3" Hex Bolt
- T14** - 1/4-20 two-way Lock Nut
- T9** - Throttle clip
- T7** - Clamp
- T12** - Knob

Lower Handles



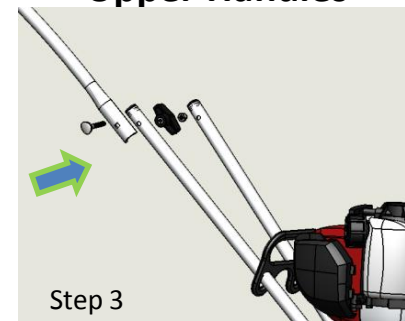
Slide two (2) **T11** Bolts through the holes of one Handle Clamp and then through the holes of the Left Lower Handle. Position the bolts so that one bolt is in front and one bolt is behind the recessed channels of the transmission housing. Slide the Right Lower Handle and the second Handle Clamp onto the bolts. Finger tighten the Nuts **T14**.

Carry Handle



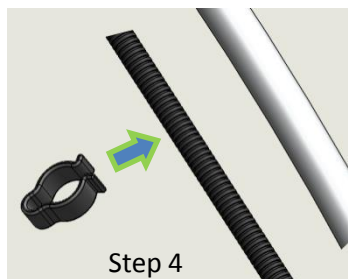
Slide the Carrying Handle over both Lower Handles. Slide it down towards the engine. It will rest about four to six inches above the engine.

Upper Handles



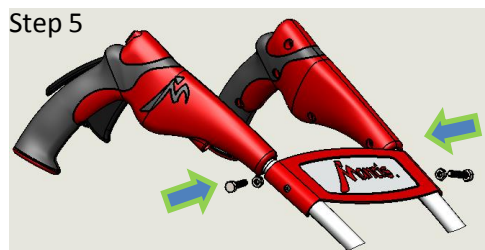
Attach the Upper Throttle Handle onto the Right Lower Handle. Fasten together using the Knob **T12** and Carriage Bolt **T42**. Place an Acorn Nut **T13** on the end of the Carriage Bolt. Repeat this process for the Left Upper Handle.

Throttle Clip



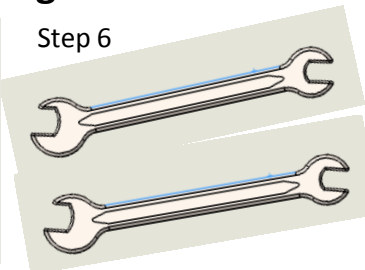
Use the Clip **T9** to secure the Throttle Cable and wire in place on the Right Lower Handle.

Handle Brace



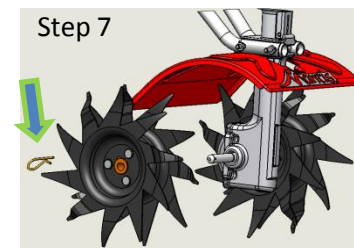
Line up the Handle Brace with the holes on the Upper Handles. Insert Cap Screws **T15** through the holes in the Handle Brace and through the holes on the Upper Handles. Secure with a Lock Nut **T14**.

Tighten Hardware



Tighten all Lock Nuts, Cap Screws, and Bolts firmly and securely using two 7/16" wrenches. Note: **Do not over-tighten the Acorn Nuts.**

Tine Installation



Slide the tines onto the axle shafts. The "D-shaped" hole goes on the outside. Secure each tine to the axle by inserting a Tine Retaining Pin **T41**.