



SIFTER SCREEN

For separating your finished compost

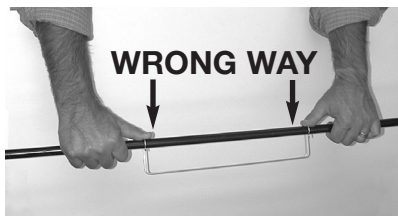
**NO ADDITIONAL ASSEMBLY
JUST REPLACE DOOR WITH SIFTER SCREEN, AND ENJOY!**

Directions for use:

The sifter screen allows you to sift out fine compost particles, leaving large ones for further "cooking." When you are ready to empty the chamber, replace the metal door with the sifter screen.

The sifter screen attaches to the barrel the same way you attached the door. Turn the handle and empty the fine compost, which will fall through the sifter screen, into your wheelbarrow or container.

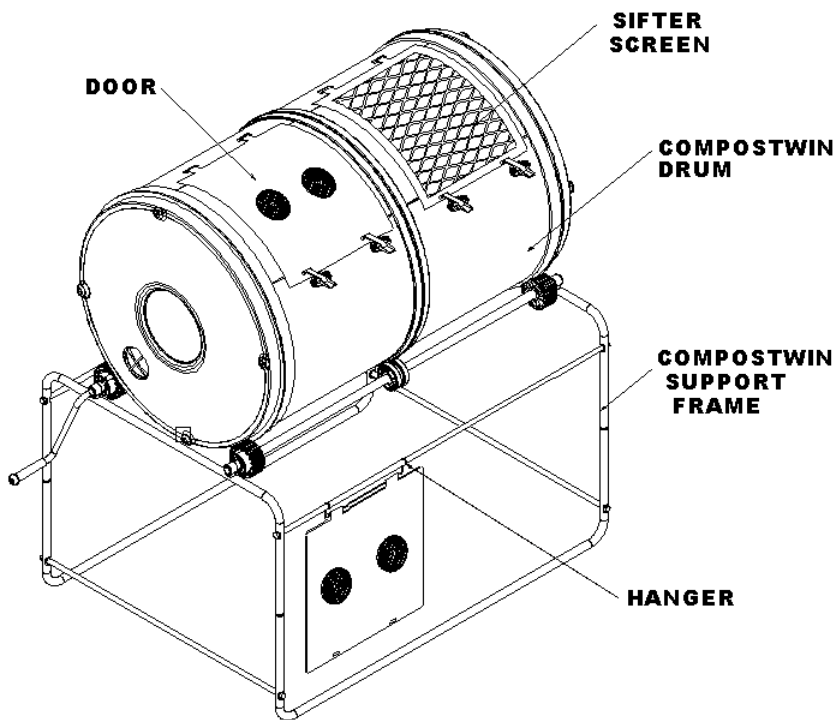
After you are done, replace the sifter screen with the door, and use the hanger hooks to hang the screen on the ComposTwin support frame for later use.



DO NOT apply pressure on the hanger hook from the top.



Hold hanger at the bottom and pull it down to clip on frame.



! WARNINGS: !

- Keep hands and loose clothing away from gears when turning the ComposTwin.
- Balance the load inside the chambers before you release the handle.



1028 Street Road
Southampton, PA 18966

1-800-366-6268

Fax: 215-956-3855